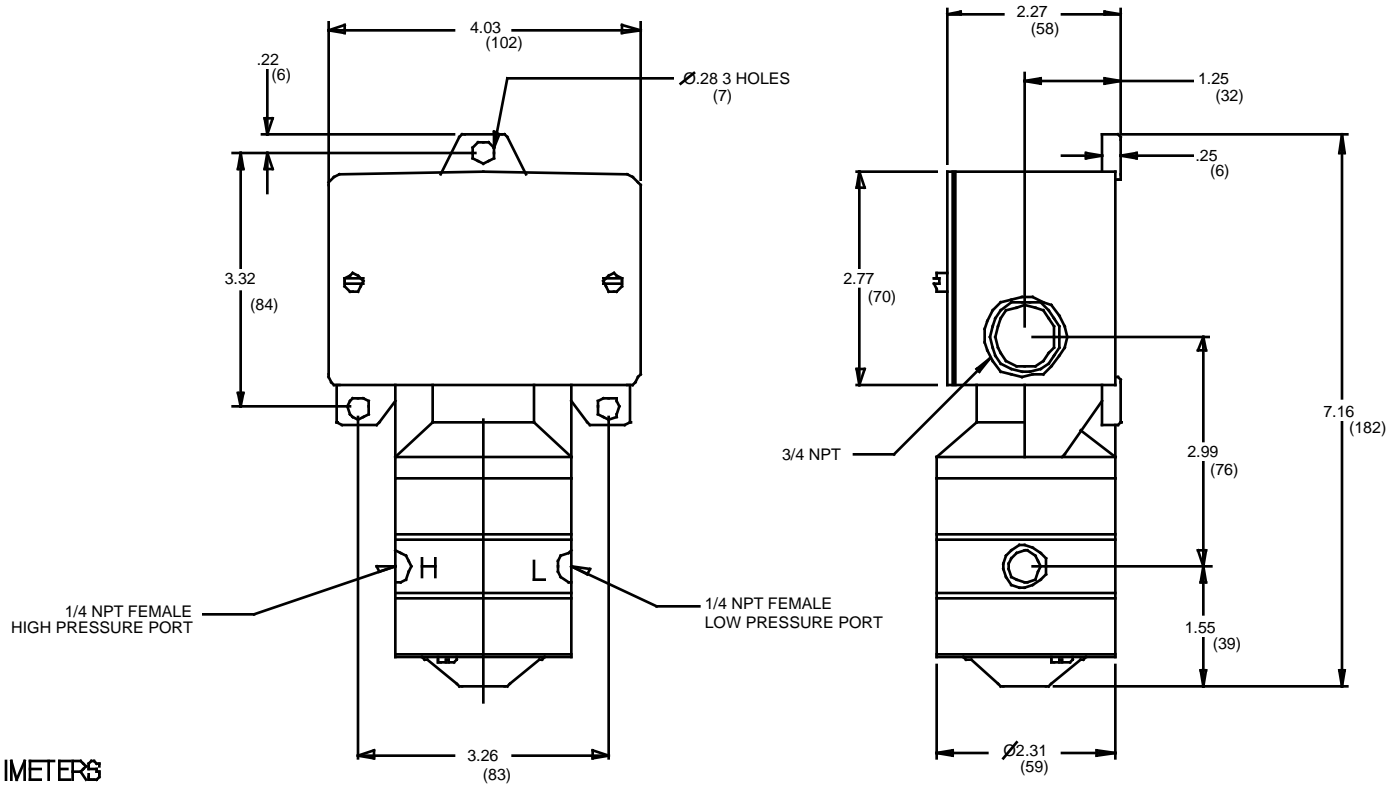


IT	QTY	PART NO	DESCRIPTION	MATERIAL	FINISH	DWG NO
1	1	-	D400 SERIES	-	-	70A1044

RANGE (PSI)	MAX STATIC PRESSURE (PSI)
2/15	500
3/30	500
3/60	500
5/100	1000
5/200	1000
10/400	1000
40/600	2000



NOTES.

- 1) DIMS IN () ARE MILLIMETERS
- 2) CATALOG # D400 SERIES

GENERAL DIMENSIONS

TYPE 400
DIFFERENTIAL PRESSURE SWITCH
PSID RANGES

C			S	DRAWN	DVN	8-1-80
				CHECKED		
				APPROVED		
SCALE	70A1044					REV
1/2.5						C

C	NO	DESCRIPTION	DVN	DATE
	A0571	REDRAWN		8-27-80
REV	C/N	DESCRIPTION	BY	DATE