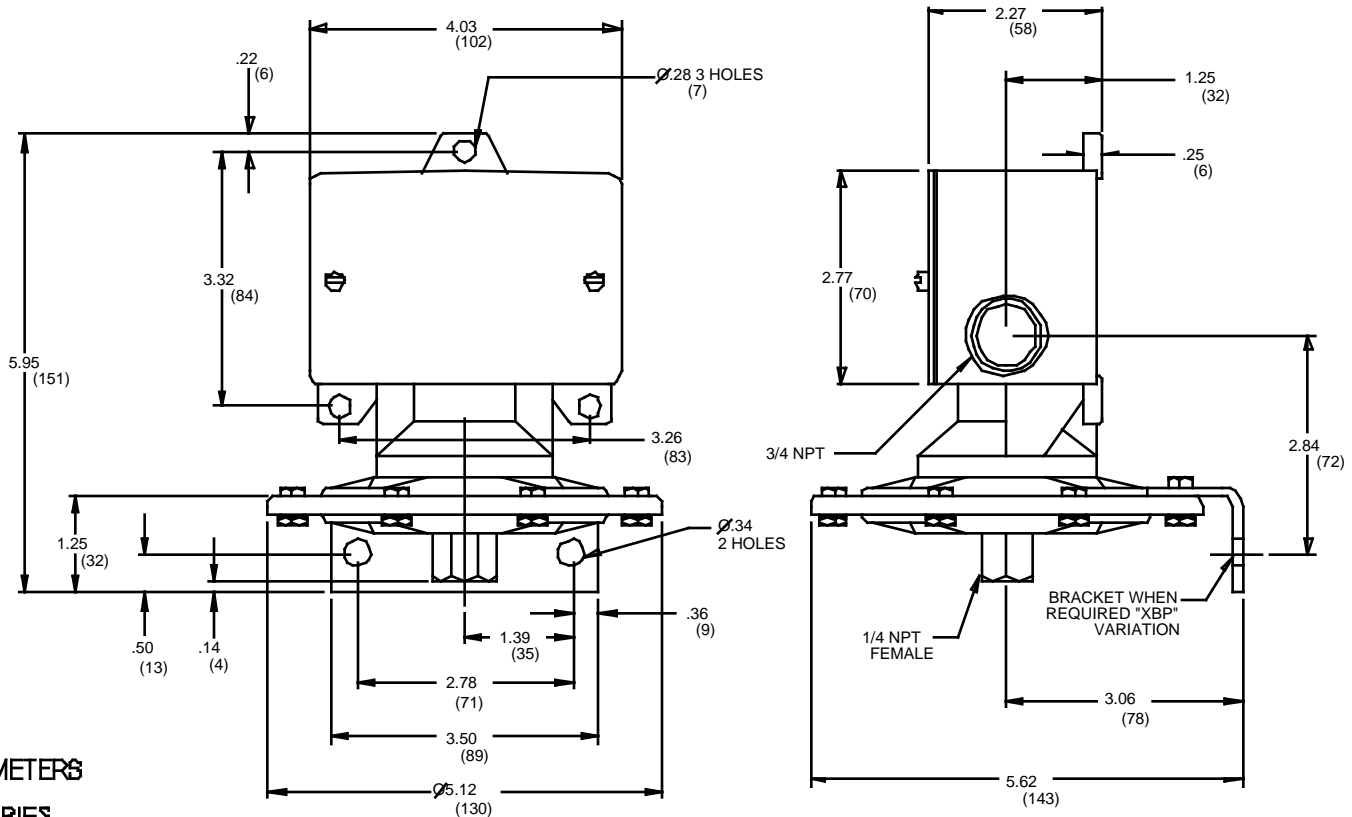


IT	QTY	PART NO	DESCRIPTION	MATERIAL	FINISH	DWG NO
1	1	-	B400 SERIES	-	-	70A319

STANDARD RANGES (INCHES WATER)
0/10
0/30
0/50
0/100
0/150
-15/15
-30/30



NOTES.

- 1) DIMS IN ( ) ARE MILLIMETERS
- 2) CATALOG # B400 SERIES

GENERAL DIMENSIONS				C	S	DRAWN	DWN	8-1-80
TYPE 400 PRESSURE SWITCH						CHECKED		
INCHES OF WATER RANGES						APPROVED		
				SCALE	70A319			REV
				1/2.5				C

C	A0671	REDRAWN	DWN	6-27-80
REV	C/N	DESCRIPTION	BY	DATE