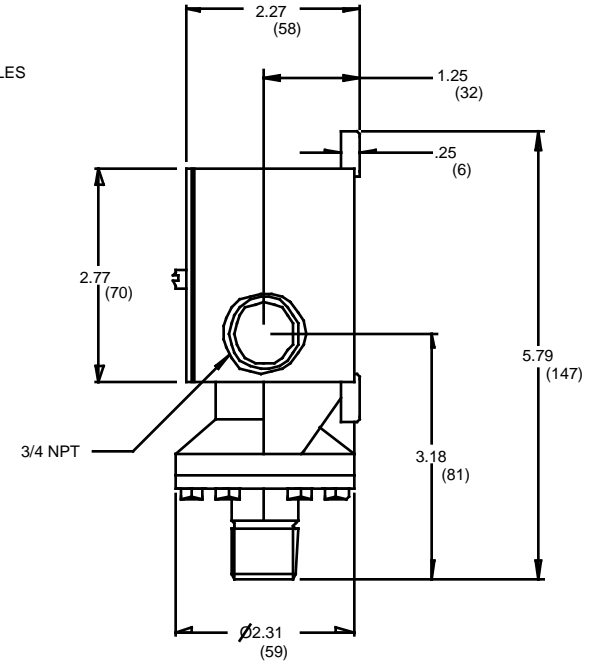
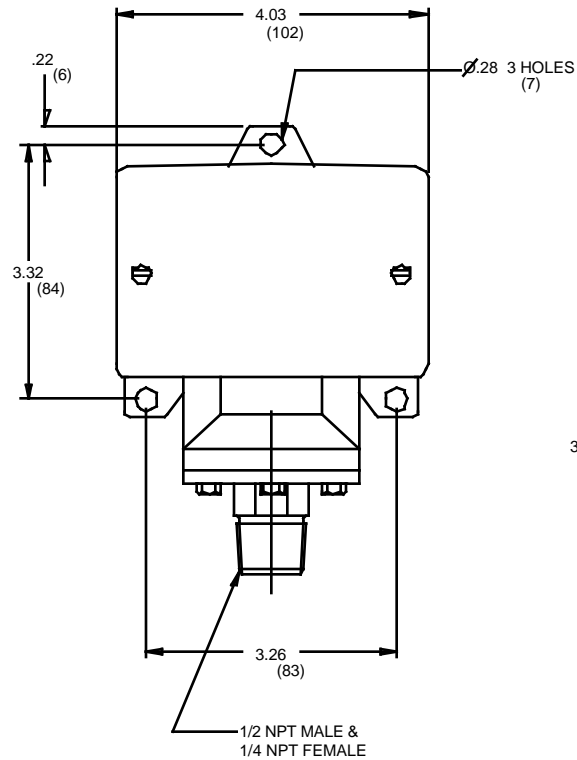


IT	QTY	PART NO	DESCRIPTION	MATERIAL	FINISH	DWG NO
1	1	-	B400 SERIES	-	-	70A860

STANDARD RANGES (PSI)
0/1000
0/3000



NOTES.

- 1) DIMS IN () ARE MILLIMETERS
- 2) CATALOG † B400 SERIES

GENERAL DIMENSIONS
TYPE 400 PRESSURE SWITCH
0/1000 AND 0/3000 PSI RANGES

C	AGE71	REDRAWN	DWN	6-27-80
REV	C/N	DESCRIPTION	BY	DATE

C	S	DRAWN	DWN	7-31-80
SCALE	70A860	REV		
1/2.5		C		