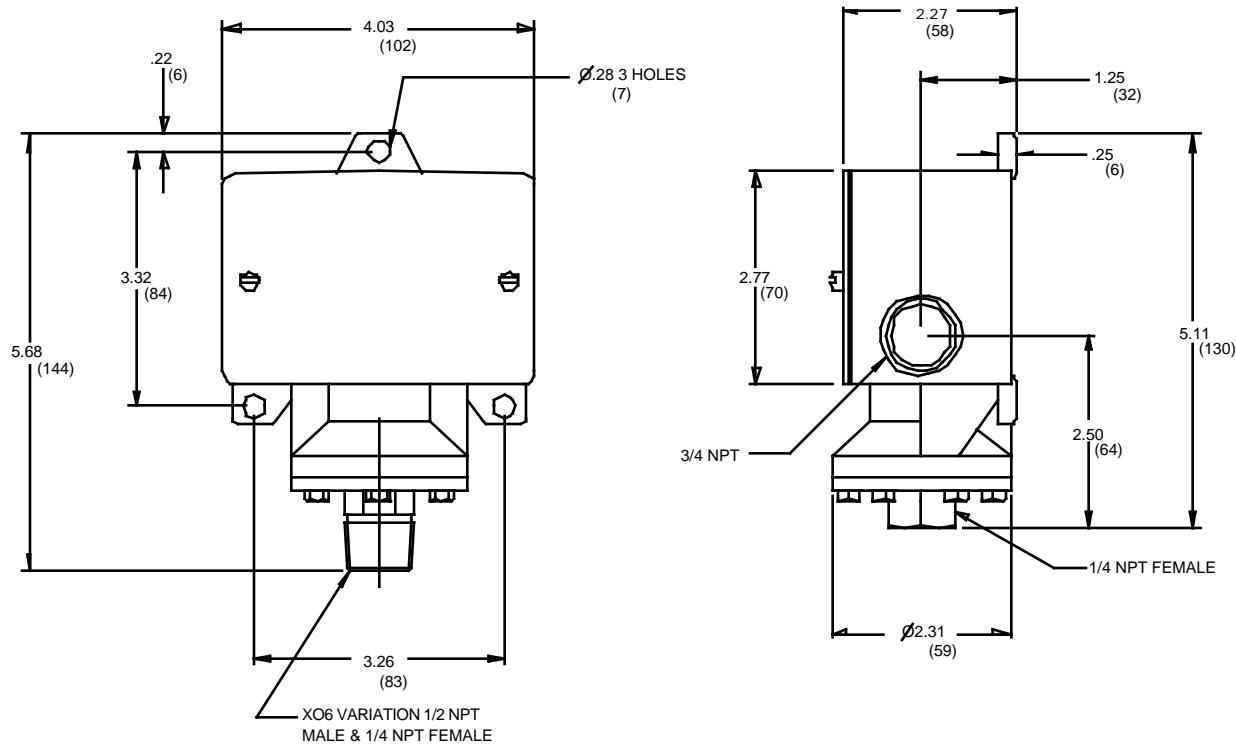


IT	QTY	PART NO	DESCRIPTION	MATERIAL	FINISH	DWG NO
1	1	-	B400 SERIES	-	-	70A86 1

STANDARD RANGES (PSI)
0/15
0/20
0/30
0/60
0/100
0/200
0/400
0/600

VACUUM STANDARD RANGES
30" Hg VAC-15 PSI
30" Hg VAC-30 PSI
30" Hg VAC-60 PSI



NOTES.

1) DIMS IN ( ) ARE MILLIMETERS

Z) CATALOG # B400 SERIES

				GENERAL DIMENSIONS			C			S		
				TYPE 400 PRESSURE SWITCH			DRAWN			DWN		
				VACUUM AND 0/15			CHECKED			T-27-04		
				THROUGH 0/600 PSI			APPROVED					
				SCALE			70A86 1			REV		
D	A0571	REDRAWN		DWN	6-27-00							
REV	C/N	DESCRIPTION		BY	DATE	1/2.5						D